

## HR900W-FE-20 -TR



### Product Description

The HR900W-FE-20-TR provide data aggregation and data long-distance transmission. Fanless and low power consumption design, it is featuring with easy operation, compact size & excellent and reliable performance, of which the design is meet Ethernet standard. The media converter is widely used in data transmission of different industries including smart transportation, telecom, security, finance, and customs etc.



### Target Industries

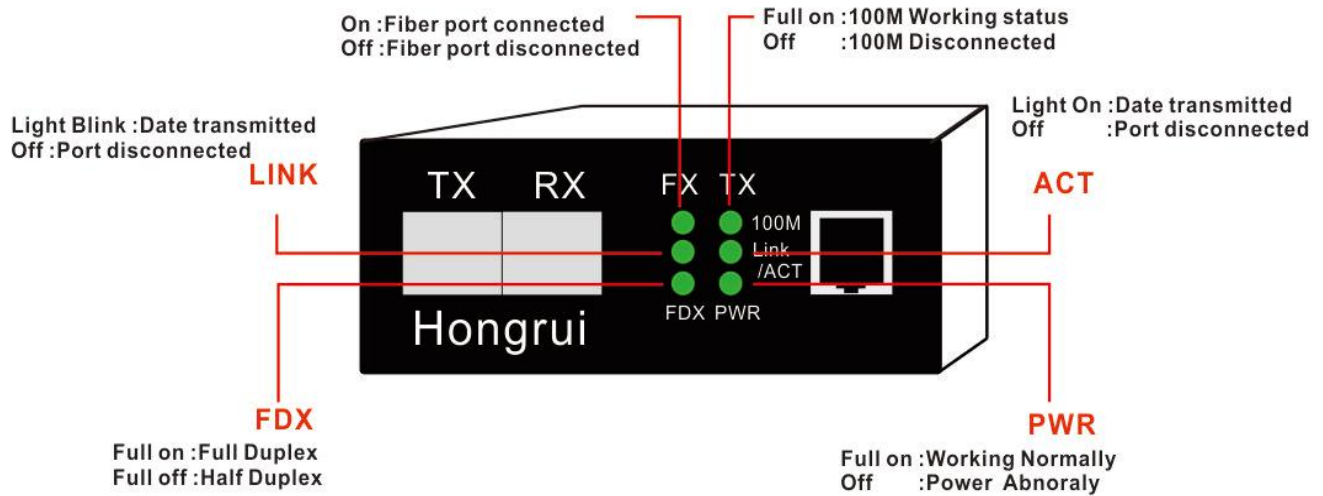
- 1.HD monitor transmission and power supply
- 2.Network telephone transmission , intelligent house and home system
- 3.Intelligent transportation supervisory system (ITS)
4. High-speed Way supervisory/Tele-Communication System
5. Security protection system, TV medical treatment
6. Long-distance Muti-media Schooling, Campus monitoring
7. Long-distance broadcast television transmission system
8. High-building Security Protection, Military Tele-Com project

10/100Mbps Adaptive fast Ethernet fiber optic transceiver (switch), the use of international mature and high-quality IC chip design, and the use of optical devices to meet international standards, electronic components, in order to ensure reliable and stable operation and long life to ensure that meet customer needs and exceed customer expectations. This series of products can be arbitrarily selected photoelectric port hybrid configuration, access to fiber media, you can select a single mode fiber or multimode fiber, the machine uses double rib ventilation designed according to user situation, a mounting ears for easy installation of the walls and cabinets, can to meet the long-distance, high-speed, high bandwidth Fast Ethernet workgroup users, can easily interconnect HUB, SWITCH, servers,Connection between terminals and remote terminal.

### Optical Fiber Interface Characteristics

Type	PIN	TX wavelengt (nm)	TX (dBm)	RX (dBm)	Transmission Distance (Km)	Light saturation (dBm)
Multimode	SC	850/1310	-18~-15	-25~-28	0-2	10
Single mode	SC	1310	-14~-8	-33	0-20	19
	SC	1310	-8~-2	-35	0-40	27
	SC	1310	-6~0	-38	0-60	35
	SC	1550	-4~2	-40	0-80	27
	SC	1550	-2~4	-42	0-100	31
	SC	1550	0~6	-44	0-120	35
	SC	1310	-14~-8	-33	0-20	19

### LED Indicator



### Order Information

#### Accessories in the Package

Package List	Fiber Media Converter
	User Guide
	Warranty Card

## Technical Parameters

Product Name	2 Ports Media Converter with 1*100M RJ45 port +1 *100M Fiber Port
Model	HR900W-FE-20-TR
ADSL	IEEE802.3/u/z/ab, 10Base-T, 100Base-TX 1000Base-TX
RJ-45 Port	RJ-45, 10/100Mbps (self-adaption)
Fiber Port	ST/SC/FC, 100Mbps (Full-duplex)
Fiber Media	<p>UTP : Cat 5 UTP(≤100 meter)</p> <p>Multi-mode : 50/125, 62.5 /125μm</p> <p>Single-mode : 8 /125, 8.7 /125, 9 /125, 10/125μm</p>
Transmission Mode	Full / Half Duplex
Forwarding Mode	Store and Forward
Working Environment	<p>Operation Temperature : -20°C~50°C</p> <p>Storage Temperature: -40°C~85 °C</p> <p>MTBF: 100, 000 hours</p> <p>Relative Humidity: 5%-95%(Non-condensing)</p> <p>Power Consumption: &lt; 5 w (Input:DC5V 1000-3000mA)</p>
Mechanical Structure	Desktop / Wall Mounted
Dimension (L*W*H)	11*7*2.5 cm
Product Weight	0.18 kg
Certification	CE, FCC, ROHS
Warranty	2 years warranty